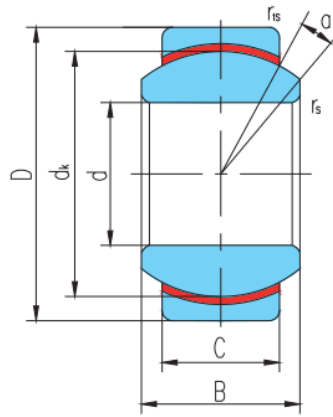
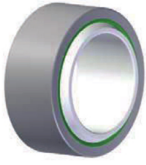


GEG...N(d 8□50)



select	Inquiry	Bearing No.	Dimensions(mm)								Basic Load Rating(kN)		Weight kg
			d	D	B	C	dk	rs min	r1s min	a°	Cr	Cor	
GEG8N	8	19	11	6	16	0.3	0.3	21	5.7	8.6	0.014		
GEG10N	10	22	12	7	18	0.3	0.3	18	7.5	11	0.021		
GEG12N	12	26	15	9	22	3	0.3	18	11	17	0.033		
GEG15N	15	30	16	10	25	0.3	0.3	16	15	22	0.049		
GEG17N	17	35	20	12	29	0.3	0.3	19	20	31	0.083		
GEG20N	20	42	25	16	35.5	3	0.6	17	34	51	0.153		
GEG25N	25	47	28	18	40.7	0.6	0.6	17	43	65	0.203		
GEG30N	30	55	32	20	47	0.6	1	17	56	84	0.304		
GEG35N	35	62	35	22	53	0.6	1	16	69	104	0.408		
GEG40N	40	68	40	25	60	0.6	1	17	90	135	0.542		
GEG45N	45	75	43	28	66	0.6	1	15	110	166	0.713		
GEG50N	50	90	56	36	80	0.6	1	17	172	259	1.14		